



## **Specification UltraVac Model 301SP**

### **I. General**

The UltraVac Model 301SP is a heavy duty, stationary industrial vacuum loader consisting of a power module, filtration system, material collection hopper and support frame. The UltraVac Model 301SP is an ideal industrial vacuum source to power permanent in-plant piping systems.

### **II. Power Module**

The UltraVac Model 301SP is electrically powered and features a 30 horsepower, 460 VAC, 3 phase, 60 Hz, TEFC electric motor. A NEMA 4 control panel is provided with all necessary controls including motor starters. Alternate electric classifications for motors and controls are also available. All UltraVac units feature a positive displacement rotary lobe type vacuum producer with ductile iron impellers and high temperature seals.

### **III. Material Collection Hopper**

The UltraVac Model 301SP features a large 1.0 cu. yd. capacity main material collection hopper featuring bottom discharge. A variety of discharge valves are available. The hopper is constructed of reinforced carbon steel and is designed to handle negative pressures over 18" Hg. The collected material enters the hopper through a port located at the rear near the top of the material collection hopper. The expansion of the air as it enters the hopper along with numerous directional changes assures that only the finest of particles get carried into the baghouse for final separation from the airstream.

### **IV. Filtration System**

The UltraVac Model 301SP features a filtration system consisting of removable filter assemblies that are automatically self-cleaned by reverse pulse high pressure jet air blasts. Filter cleaning timing sequence is controlled by a solid state logic panel. Since filter cleaning is a continuous operation while vacuuming, there is never a need to shut down a UltraVac unit for filter cleaning purposes.

### **V. Main Frame**

The UltraVac Model 301SP features the power module, hopper module and filtration system conveniently mounted on a single main frame. Support legs up to 6 feet in height can be provided. Longer length legs, catwalks, access ladders etc. are also available.

- continued -



**Specification**  
**UltraVac Model 301SP**  
(cont.)

**VI. Anticipated Performance**

The Model 301SP's 30 horsepower system and positive displacement rotary lobe type vacuum producer provides the following performance specifications:

<b>Horsepower: 30 HP (22 kw)</b>		<b>Vacuum Rating: 15" HG (0.508 bar)</b>	
<b>Air Volume</b>	<b>Conveying Rate</b>	<b>Conveying Distance</b>	
No Load = 765 CFM 1296 m <sup>3</sup> /hr.	Nominal = 125 lb./min. 56.5 kg./min.	Nominal = 75 feet 23 m.	
Max. Load = 640 CFM 1086 m <sup>3</sup> /hr.	Maximum = 250 lb./min. 113 kg./min.	Maximum = 175 feet 53 m.	

Material handling rates and conveying distances will vary based on the bulk density and particle size of the material, as well as the skill and efficiency of operating personnel.

**VII. Controls**

The Model 301SP UltraVac features a complete package of instrumentation and product protection controls. Standard features include the following:

- Start and Stop pushbuttons with system "Running" pilot light
- Filter bag differential gauge and dirty filter shutdown
- Vacuum gauge and high vacuum relief valve
- Hopper full level control with automatic shutdown and "Hopper Full" pilot light

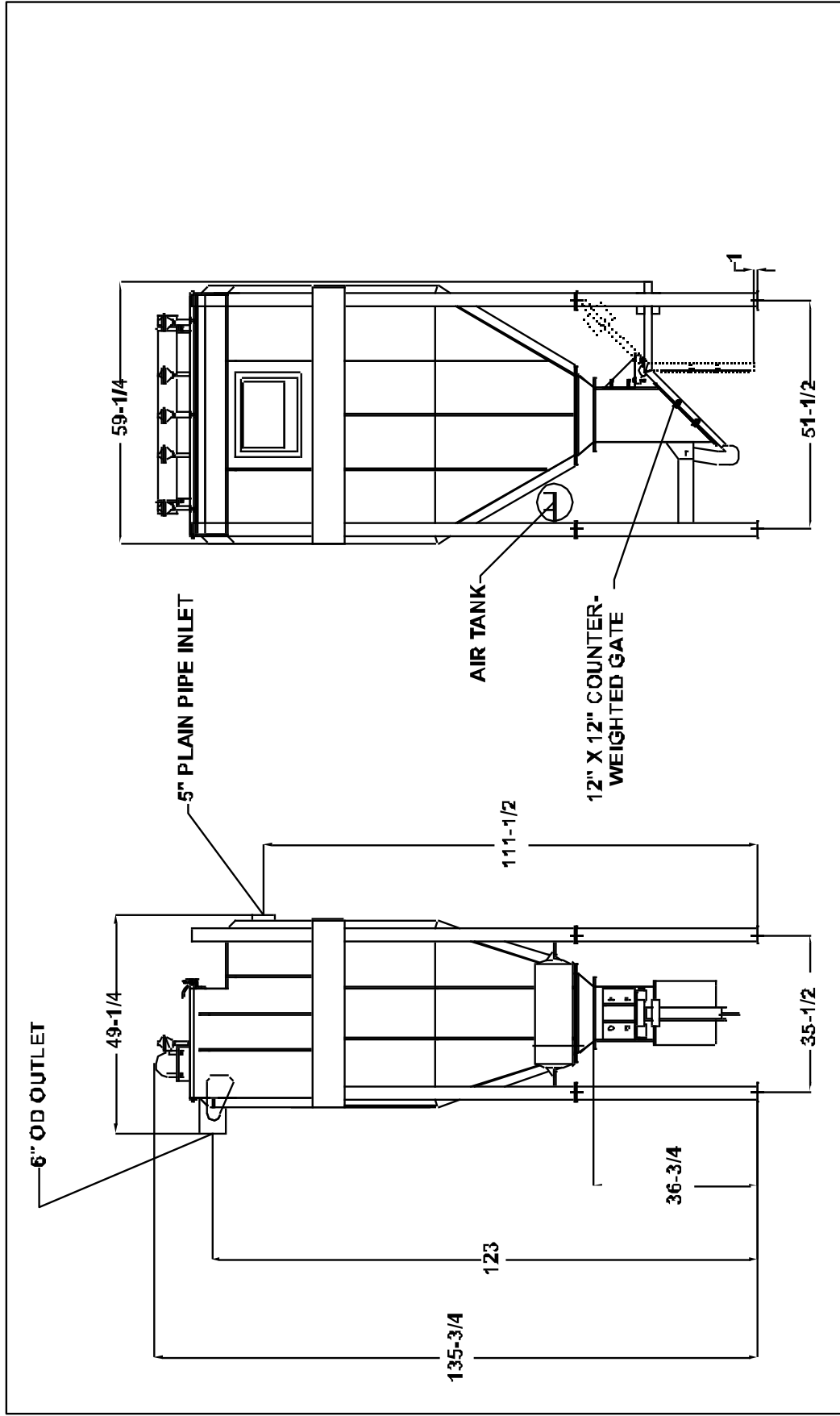
**VIII. Miscellaneous**

All UltraVac units include three (3) operation and maintenance manuals as standard (1 hard copy & 2 CD's). Additional manuals are available at \$125.00 each. Units are primed and painted with durable industrial enamel. Standard color is yellow, or your choice of any single color specified on written order. All UltraVac equipment is covered by our twelve (12) month warranty covering materials and workmanship excluding normal wear components such as filter bags and conveying hose.

**IX. Additional Equipment**

The proposed equipment includes the following features in addition to those described above:

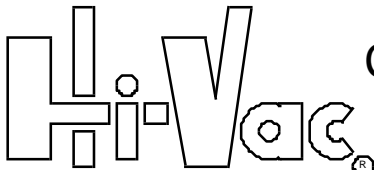
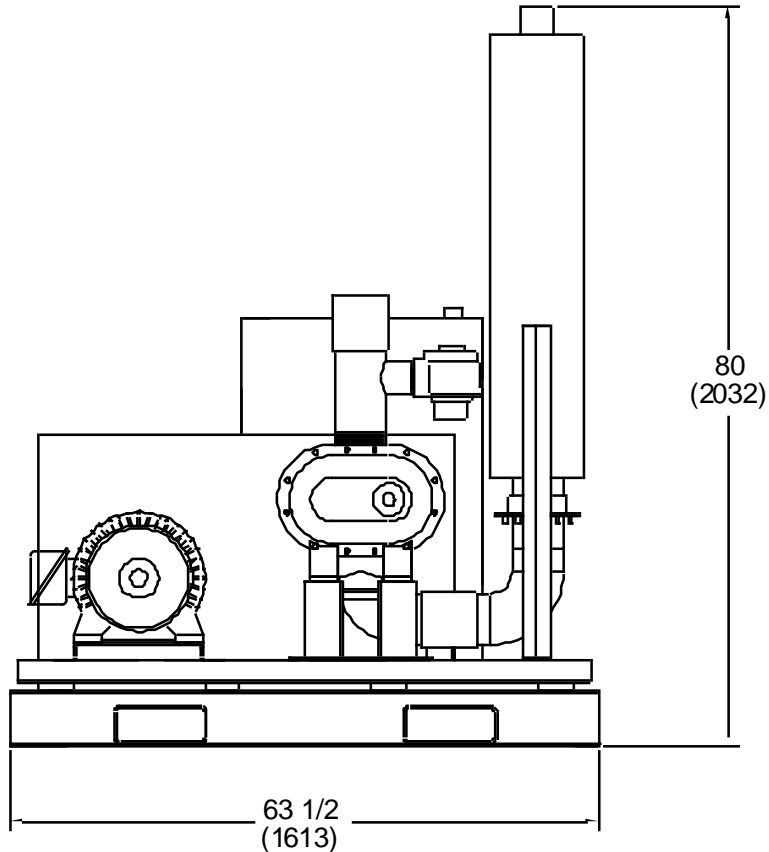
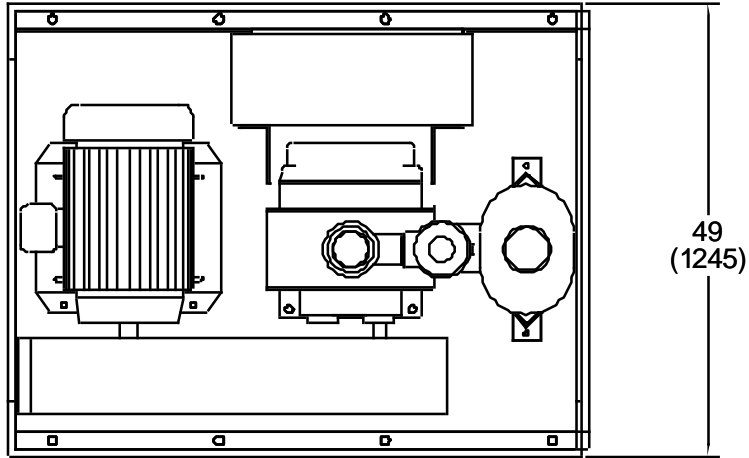
- None



**HiVac CORPORATION**  
 2000 W. 10th Street, Suite 100, Omaha, NE 68104, U.S.A.

CONFIDENTIAL NOT FOR PUBLICATION  
 THIS DRAWING, INCLUDING SPECIFICATIONS OR  
 OTHER DATA IS THE PROPERTY OF H/VAC  
 AND IS NOT TO BE REPRODUCED, COPIED,  
 OR TRANSMITTED IN ANY FORM OR BY ANY  
 MEANS, ELECTRONIC OR MECHANICAL,  
 INCLUDING PHOTOCOPYING, RECORDING,  
 OR BY ANY INFORMATION STORAGE AND  
 RETRIEVAL SYSTEM, WITHOUT THE  
 WRITTEN PERMISSION FROM H/VAC CORPORATION.

DATE: 02/04/99	DRAWN: CGT	PKG:	SCALE:
TITLE: ULTRAVAC 1 CUBIC YARD FILTER/RECEIVER W/ 12" X 12" COUNTER-WEIGHTED GATE			
JOB:			DRAWING NUMBER: 1-5505-0094



**CORPORATION**

Marietta, Ohio U.S.A.

Formerly NFE INTERNATIONAL, LTD

NO.	REVISION	BY	DATE

CONFIDENTIAL-NOT FOR PUBLICATION

DATE: 24JUN02	DRAWN: CGT	CKD.: .	APPRD.: .	SCALE: NONE
---------------	------------	---------	-----------	-------------

THIS DRAWING, INCLUDING SPECIFICATIONS OR OTHER DATA, IS THE PROPERTY OF HI-VAC CORPORATION. THE USE THEREOF IS CONDITIONED UPON THE USER'S AGREEMENT NOT TO DISCLOSE THE DRAWING TO OTHERS, OR TO REPRODUCE THE DRAWING IN WHOLE OR IN PART, OR TO USE THE DRAWING TO REPRODUCE THE INFORMATION THEREIN, OR FOR ANY OTHER PURPOSE, WITHOUT WRITTEN PERMISSION FROM HI-VAC CORPORATION.

TITLE:	ULTRAVAC 30 HP. VACUUM POWER PACK		
--------	-----------------------------------	--	--

JOB:	DRAWING NUMBER	REV:
	204260-1	